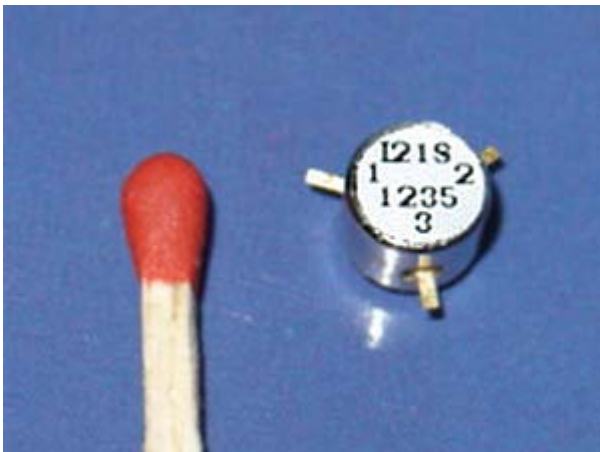


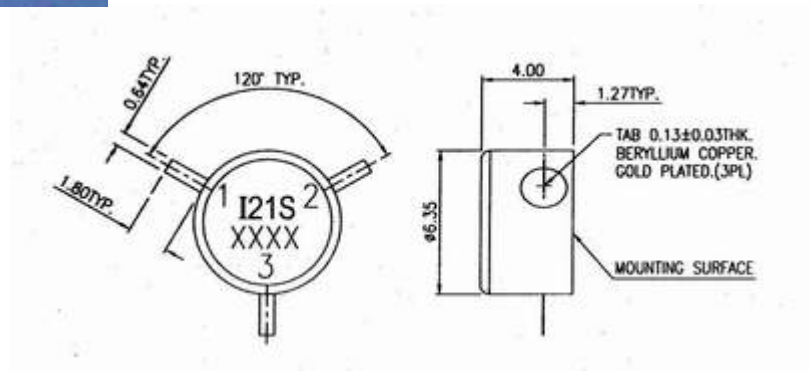
SMALL SIZE DROP-IN CIRCULATOR

Feature

- ❖ Diameter 6.35 or 9.5 mm.
- ❖ Thickness 4.0 or 5.1 mm.
- ❖ Customized design for frequency 4.0 to 15.0 GHz. covering 10% bandwidth of selected frequency



Model I2-1-S



Specification

Size :	6.35 mm. (Dia.) x 4.0 mm. (Thickness)
Freq.range :	9.2-9.5 GHz
Isolation :	20 dB (Min.)
Insertion loss :	0.5 dB (Max.)
V.S.W.R. :	1.25 (Max.)
Operating temp.:	-54 to +85 deg. Celcius
Average power :	20 Watts